



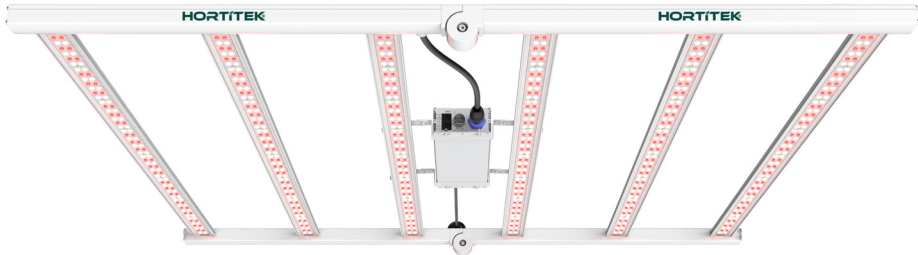
# **HORTITEK<sup>®</sup>** **eco R RANGE**

INSTRUCTION MANUAL






## SAFETY NOTES

- The light source contained in this luminaire shall only be replaced by the manufacturer or his service agent or a similar qualified person.
  - To reduce the risk of strangulation the flexible wiring connected to this luminaire shall be effectively fixed to the wall if the wiring is within arm's reach.
  - If the external flexible cable or cord of this luminaire is damaged, it shall be exclusively replaced by the manufacturer or his service agent or a similar qualified person in order to avoid a hazard.
  - Keep away from hot objects and open flames.
  - Avoid touching during operation.
  - Ensure that there is no visible damage before installing or using this product.
  - Ensure that selected power supply is switched OFF during installation.
  - Do not install underwater or in water soaked areas.
  - Do not attempt to service or replace LEDs yourself.
- 



## PRODUCT SPECIFICATIONS

*Test data has a tolerance of ±3%.*

Product Code		M4447	M4449
Power		700W	1000W
Voltage Range / Frequency		200-264Vac ~ 50/60Hz	200-277Vac ~ 50/60Hz
Current	Amp @ 120V:	5.92A	8.44A
	Amp @ 208V:	3.43A	4.88A
	Amp @ 220V:	3.25A	4.63A
	Amp @ 230V:	3.11A	4.44A
	Amp @ 240V:	2.99A	4.26A
	Amp @ 277V:	2.65A	3.77A
PPF Efficacy		2.90µmol/J	
Max PPF		2030µmol/s	2900µmol/s
CCT		2750K	
CRI		55%	
PF		>0.95	
THD		<20%	
Beam Angle		120°	
Control Knob		40% / 50% / 60% / 80% / 100% / EXT-OFF	
External Control		0-10V LED Control	
Signal Cable		RJ12	
Thermal Management		Passive	
BTU/h		2389	3413
Dimensions		1170 x 1113 x 70mm 46.0 x 43.8 x 2.76"	1170 x 1113 x 73mm 46.0 x 43.8 x 2.87"
Weight		6.72kg±0.3kg 14.8lbs±0.66lbs	8.85kg±0.3kg 19.5lbs±0.66lbs
Protection		Short Circuit, Open Circuit	Short Circuit, Open Circuit, Over Voltage, Over Temperature, Surge Protection
Working Temperature		0°C to 40°C /32°F to +104°F (95% RH)	
Storage Temperature		-40°C to 70°C /-40°F to +158°F (85% RH)	
IP Rating		IP65	
Warranty		2 Years	
Certificates		  	

## COVERAGE AREA

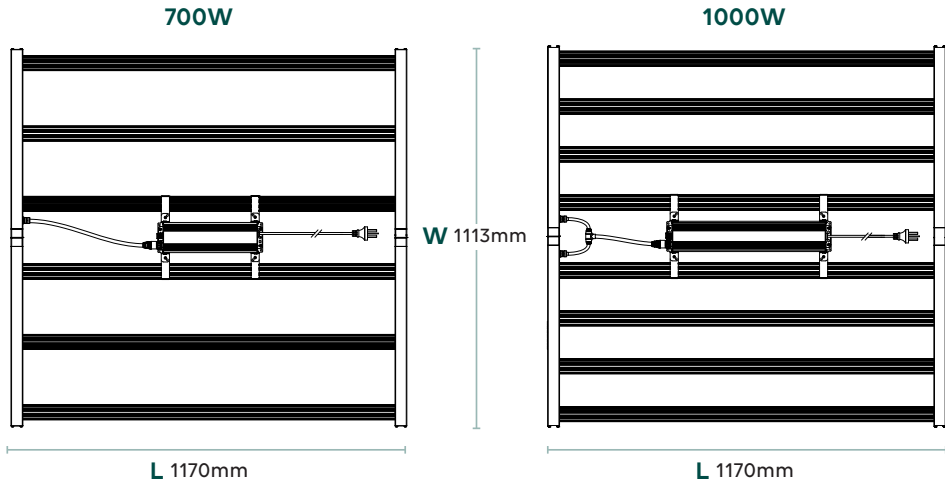
### 700W

Application	Vegetative	Flowering	
<sup>1</sup> Hanging Height (cm)	94	47	32
Max PPFD ( $\mu\text{mol/s/m}^2$ )	500	1000	1200
Coverage Dimensions LxW (m)	2.27 x 2.32	1.59 x 1.69	1.50 x 1.61
<sup>2</sup> Coverage Area ( $\text{m}^2$ )	5.26	2.69	2.42

<sup>1</sup>Hanging Height refers to the distance between the plant canopy and the LED.

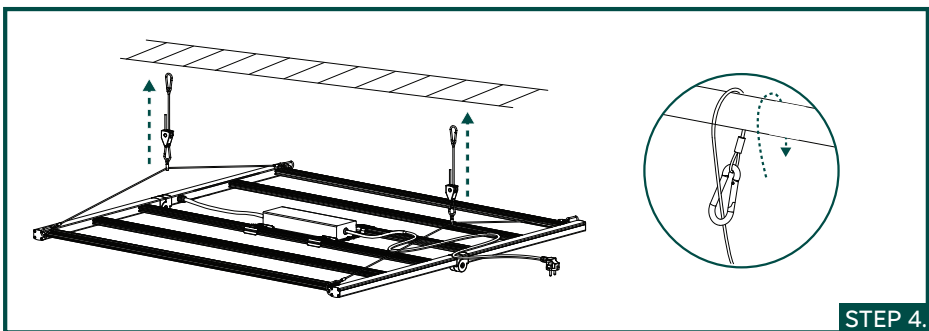
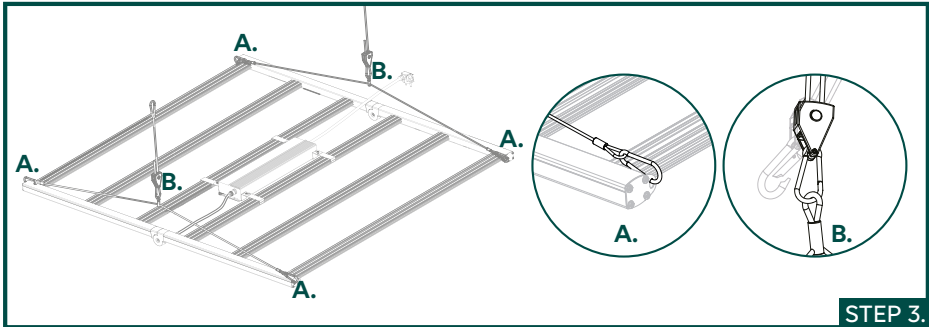
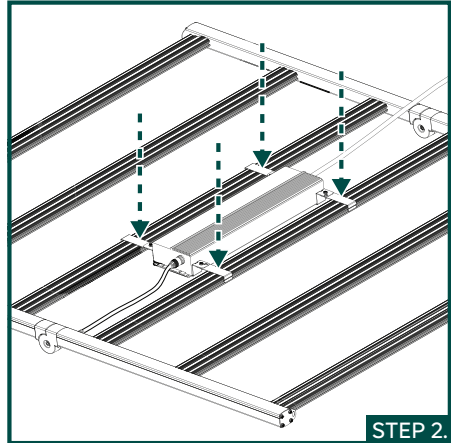
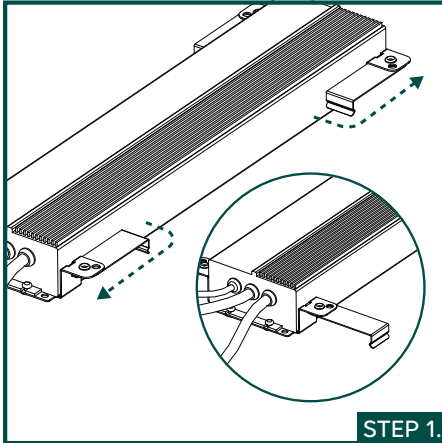
<sup>2</sup>Coverage Area refers to the region that the plants receive at minimum 200PPFD for Flowering and 100PPFD for Vegetative in a dark room without reflective walls, floor or ceiling.

## DIMENSIONS

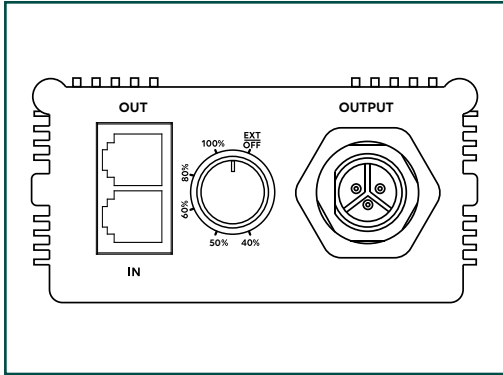


## INSTALLATION INSTRUCTIONS

Accessories included: RJ12 Signal Cable 3m, Rope Ratchet x2, Lancer Hanger x2.



## OPERATION INSTRUCTIONS



**ENSURE ALL POWER & SIGNAL CABLES ARE FIRMLY CONNECTED**

### POWERING ON

First connect the plug from the LED Fixture, into the DC Output port on the driver. Then connect the Input power cable between a switched OFF power outlet and the AC Input of the Driver.

Switching the power outlet ON will power the Fixture.

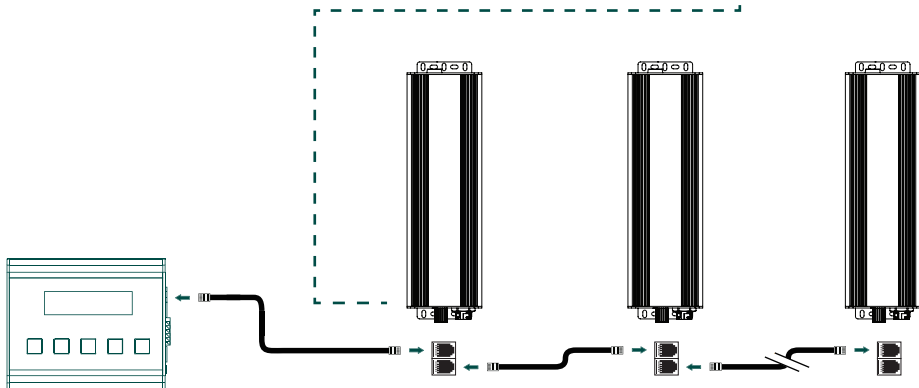
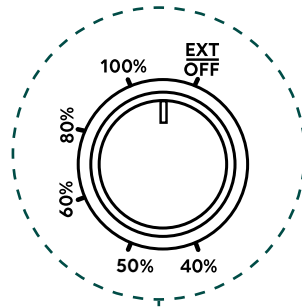


**ENSURE ALL FIXTURES ARE SWITCHED OFF**

### CONNECTING MULTIPLE LED FIXTURES

Connect the RJ12 Signal Cable between the External Controller and the first LED Driver, using the RJ12 Ports.

To connect multiple LED Fixtures, continue to ADD signal cables between the RJ12 Ports. Then SET the control knob to E.X.T and power on the Fixtures.



## WARRANTY - CONTACT YOUR RETAILER FOR WARRANTY CLAIMS AND SUPPORT

The company guarantees the mechanical and electronic components of this product. It ensures the materials and workmanship is free of defects, used under normal operating conditions.

If there are any defects with this product that relate to the workmanship or the materials used, the company shall, at its discretion, either replace or repair the product.

However, improper use is NOT covered by warranty. This includes but is not limited to, overloading, user error, physical or water damage.

Warranty is valid for a period of two years from the original date of purchase.



**HORTITEK®**

[hortitek.com](http://hortitek.com)

