



HORTITEK® eco RANGE


INSTRUCTION MANUAL





PRODUCT SPECIFICATIONS

Test data has a tolerance of ±3%.

Product Code		M4446	M4448
Power		720W	1000W
Voltage Range / Frequency		108-305V ~ 50/60Hz	
Current	Amp @ 120V:	6.04A	8.40A
	Amp @ 208V:	3.50A	4.86A
	Amp @ 220V:	3.32A	4.61A
	Amp @ 230V:	3.18A	4.42A
	Amp @ 240V:	3.05A	4.24A
	Amp @ 277V:	2.70A	3.75A
PPF Efficacy		2.70µmol/J	
Max PPF		1944µmol/s	2700µmol/s
CCT		4000K	
CRI		80%	
PF		>0.95	
THD		<10%	
Beam Angle		120°	
Control Knob		OFF / 40% / 60% / 80% / 100% / E.X.T	
External Control		0-10V LED Control	
Signal Cable		RJ14	
Thermal Management		Passive	
BTU/h		2457	3413
Dimensions		1105 x 1065 x 65mm 43.5"x41.9"x2.6"	
Weight		9.66kg±0.3kg 21.3lbs±0.66 lbs	11.49kg±0.3kg 25.3lbs±0.66 lbs
Ambient Temperature		-25° to 40°C	
IP Rating		IP44	
Warranty		2 Years	
Certificates			

COVERAGE AREA

720W

Application	Vegetative	Flowering	
¹ Hanging Height (cm)	90	45	32
Max PPFD ($\mu\text{mol/s/m}^2$)	500	1000	1200
Coverage Dimensions LxW (m)	2.13 x 2.18	1.51 x 1.66	1.44 x 1.58
² Coverage Area (m^2)	4.64	2.51	2.27

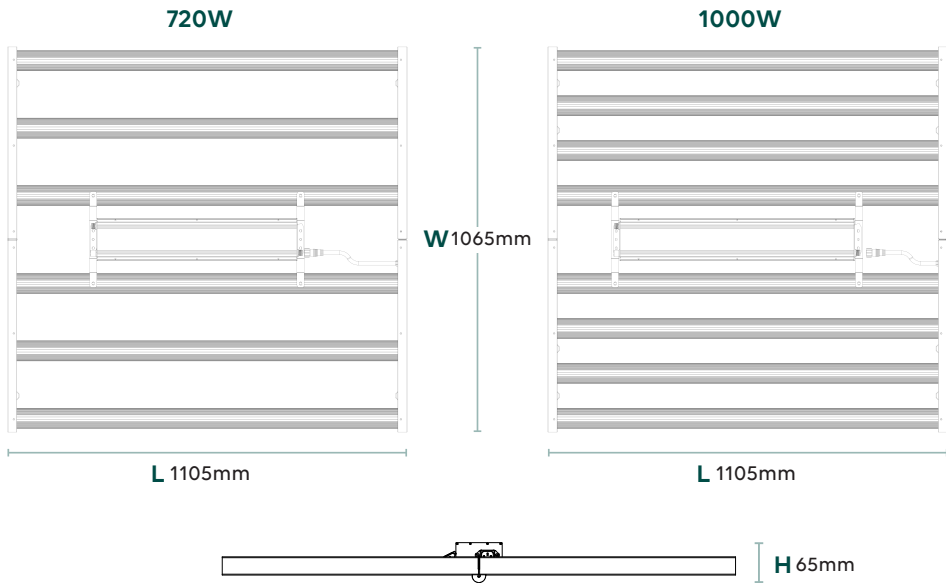
1000W

Application	Vegetative	Flowering	
¹ Hanging Height (cm)	112	65	53
Max PPFD ($\mu\text{mol/s/m}^2$)	500	1000	1200
Coverage Dimensions LxW (m)	2.50 x 2.50	1.78 x 1.88	1.71 x 1.83
² Coverage Area (m^2)	6.25	3.35	3.13

¹Hanging Height refers to the distance between the plant canopy and the LED.

²Coverage Area refers to the region that the plants receive at minimum 200PPFD for Flowering and 100PPFD for Vegetative in a dark room without reflective walls, floor or ceiling.

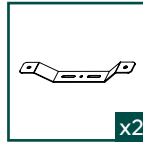
DIMENSIONS



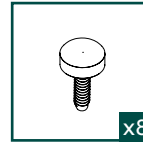
INSTALLATION INSTRUCTIONS



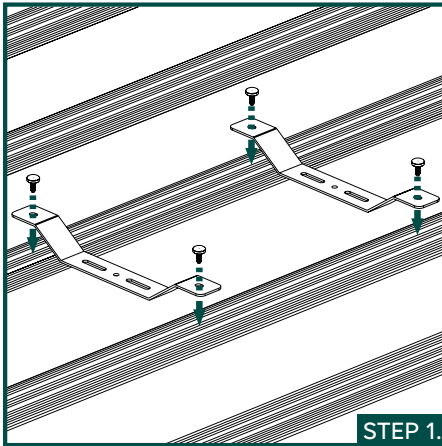
Rope Ratchet **x4**



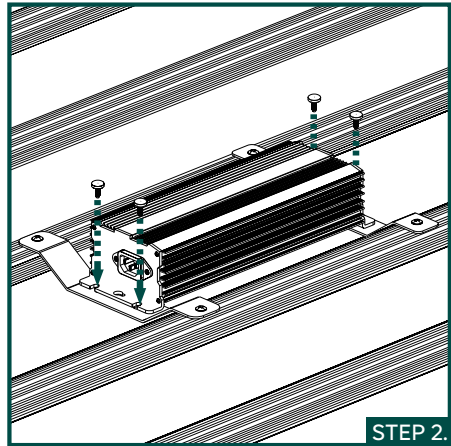
Brackets **x2**



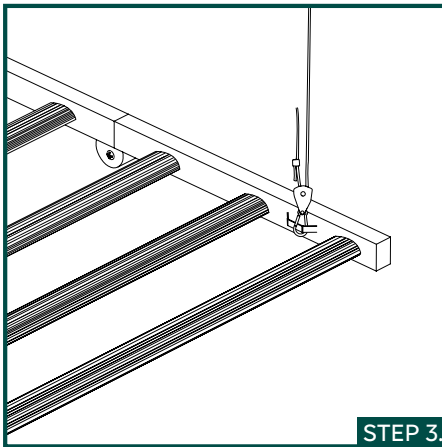
Bolts **x8**



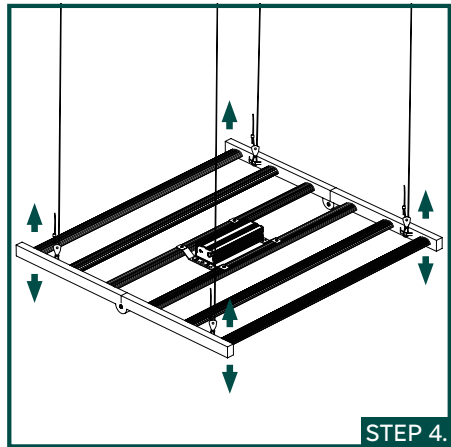
STEP 1.



STEP 2.

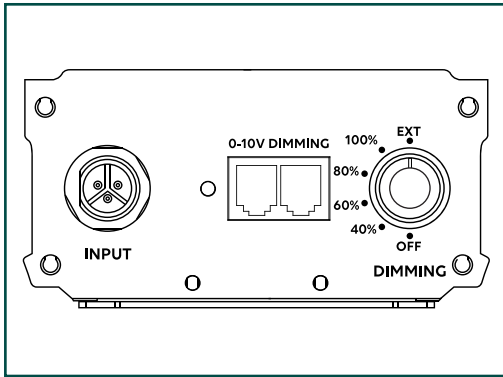


STEP 3.



STEP 4.

OPERATION INSTRUCTIONS



ENSURE ALL POWER & SIGNAL CABLES ARE FIRMLY CONNECTED

POWERING ON

First connect the plug from the LED Fixture, into the DC Output port on the driver. Then connect the Input power cable between a switched OFF power outlet and the AC Input of the Driver.

Switching the power outlet ON will power the Fixture.

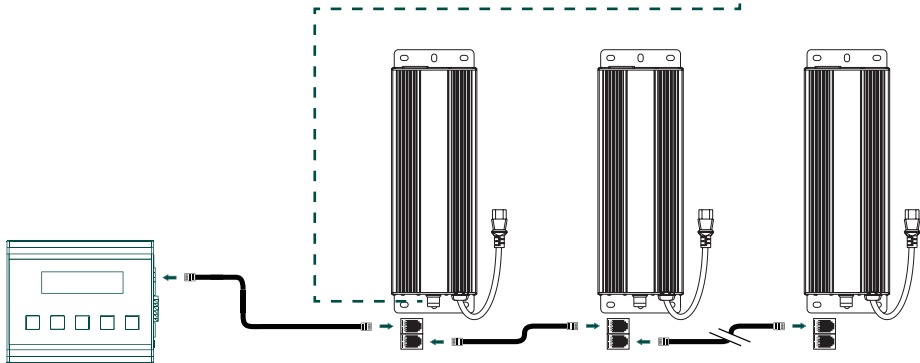
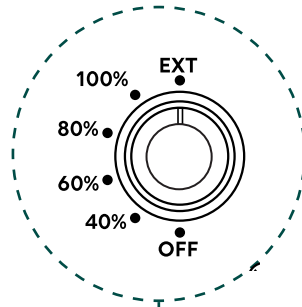


ENSURE ALL FIXTURES ARE SWITCHED OFF

CONNECTING MULTIPLE LED FIXTURES

Connect the RJ14 Signal Cable between the External Controller and the first LED Driver, using the RJ14 Ports.

To connect multiple LED Fixtures, continue to ADD signal cables between the RJ14 Ports. Then SET the control knob to E.X.T and power on the Fixtures



WARRANTY - CONTACT YOUR RETAILER FOR WARRANTY CLAIMS AND SUPPORT

The company guarantees the mechanical and electronic components of this product. It ensures the materials and workmanship is free of defects, used under normal operating conditions.

If there are any defects with this product that relate to the workmanship or the materials used, the company shall, at its discretion, either replace or repair the product.

However, improper use is NOT covered by warranty. This includes but is not limited to, overloading, user error, physical or water damage.

Warranty is valid for a period of three years from the original date of purchase.

SAFETY NOTES

- Ensure that there is no visible damage before installing or using this product.
- Keep away from hot objects and open flames.
- Avoid touching during operation.
- Ensure that selected power supply is switched OFF during installation.
- Do not install underwater or in water soaked areas.
- Do not attempt to service or replace LEDs yourself.
- The light source contained in this luminaire shall only be replaced by the manufacturer, service agent or similar qualified person.
- If the external cord/cable is damaged, it shall be exclusively replaced by the manufacturer, service agent or a similar qualified person in order to avoid a hazard.
- The external flexible cable or cord of this adapter cannot be replaced; if the cord is damaged, the adapter shall be scrapped.



HORTITEK®

hortitek.com

